

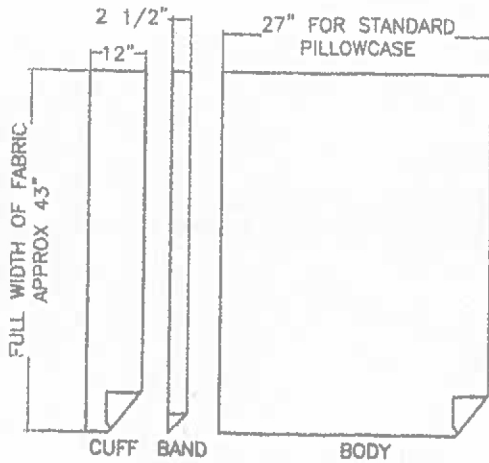
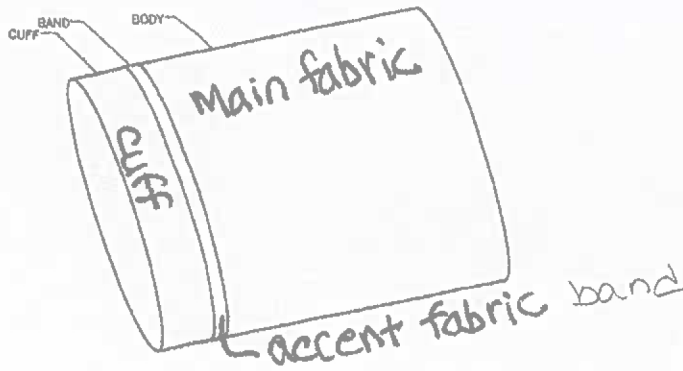
# MAGIC PILLOWCASES

Main fabric: cut 1 - 27" x 45"

Contrasting cuff fabric: cut 1 - 9" x 45"

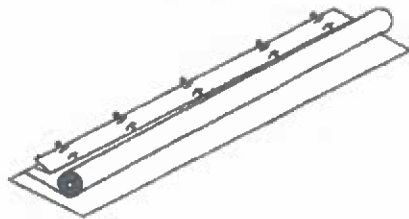
Accent band (optional): cut 1 - 2 1/2" x 45"

\*Sew together with serger or French seams



STEP 1

CUT FABRIC TO SIZE

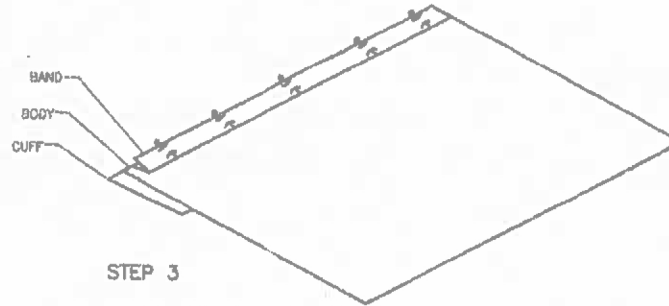


STEP 4  
ROLL BODY FROM BOTTOM TO HALF WAY INTO CUFF



STEP 2

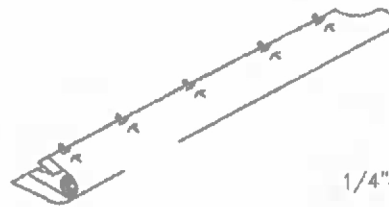
PRESS BAND IN HALF, WRONG SIDES TOGETHER



STEP 3

LAYER AND PIN, ALL RAW EDGES TOGETHER

- 1 CUFF, RIGHT SIDE UP
- 2 BODY, RIGHT SIDE UP
- 3 BAND



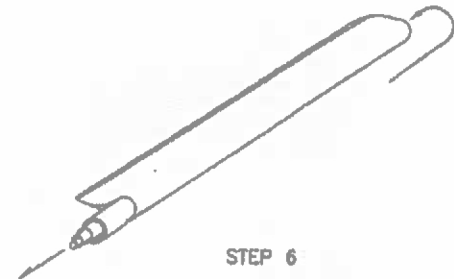
STEP 5

ROLL CUFF AROUND BODY, RAW EDGE TO PINNED EDGE, MOVE PINS TO PIN ALL LAYERS TOGETHER, BEING CAREFUL TO AVOID THE ROLLED BODY



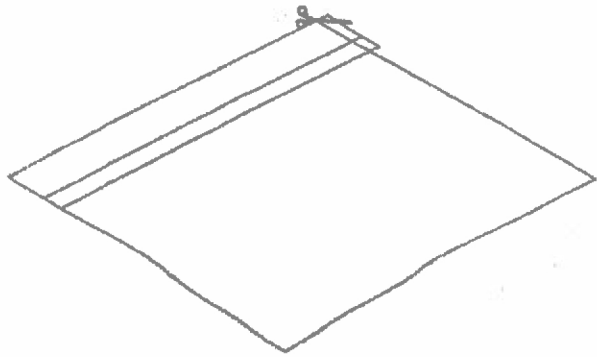
STEP 5

SEW, 1/4" SEAM



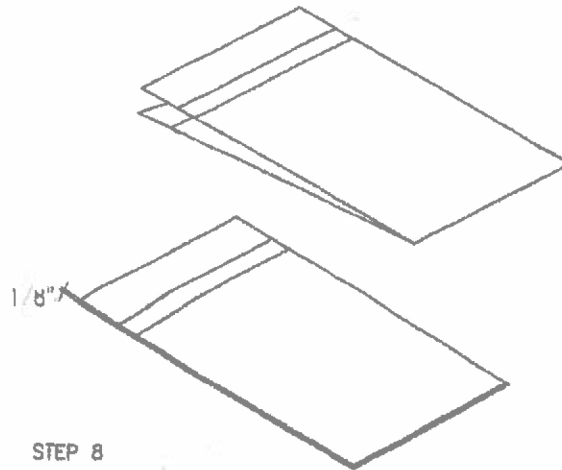
STEP 6

PULL BODY, CAUSING ENTIRE CUFF TO FLIP RIGHT SIDE OUT



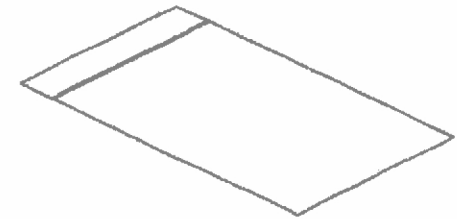
STEP 7

PRESS FLAT, SQUARE UP  
EDGES



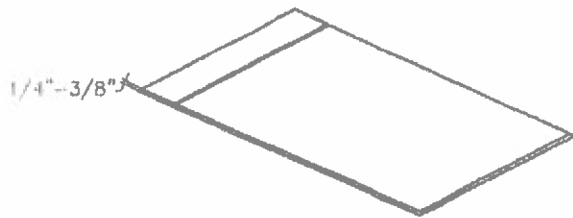
STEP 8

FOLD IN HALF, RIGHT SIDES OUT  
SEW 2ND  $\frac{1}{8}$ " SEAM ACROSS SIDE AND BOTTOM



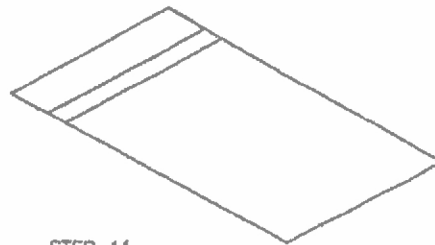
STEP 9

FLIP WRONG SIDE OUT, PUSH OUT  
CORNERS, PRESS SEAM, PULLING SEAM  
OUT TIGHTLY



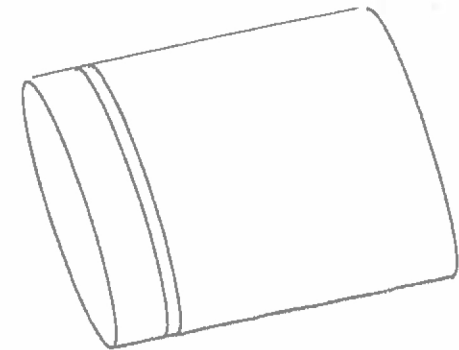
STEP 10

SEW 3RD SEAM ACROSS  
SIDE AND BOTTOM, BEING  
CAREFUL TO INCREASE 2ND  
SEAM.



STEP 11

FLIP RIGHT SIDE OUT, PRESS  
SEAMS AND CORNERS OUT



STEP 12

FINISHED, ENJOY!